



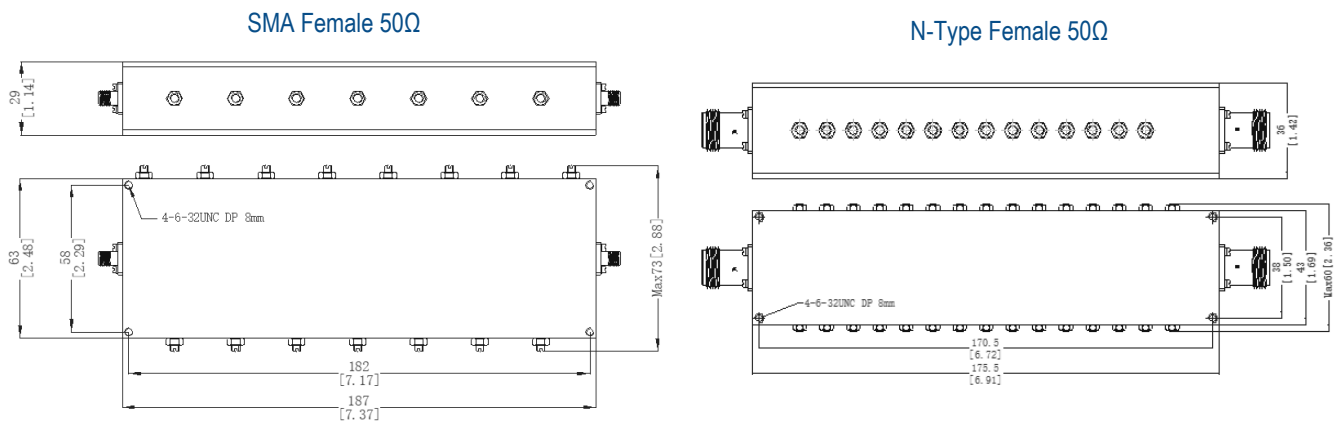
L-Band Bandpass Filter

Passband 950 – 1700 MHz

Available with RF connectors:

- SMA Female 50Ω
- N-Type Female 50Ω

Physical Dimensions ±0.3mm



General Specification		
Input & Output Connectors	SMA Female 50Ω	N-Type Female 50Ω
Pass Band Frequency	950 - 1700 MHz	
Center Frequency	1325 MHz	
Insertion Loss	1.0 dB max.	
VSWR	1.7:1 max.	1.6:1 max.
Rejection	≥40dB@DC-840MHz, ≥40dB@1810-2400MHz	
Power Handling	5W CW max	
Operating Temperature	-40°C to +70°C	
Storage Temperature	-55°C to +85°C	
Humidity	95%RH at 40°C	
Shock	20G for 11msec half sine wave, 3 axis both directions	
Material and Surface Finish	Aluminium and White Painted	

Note 1: The specification is subject to regular reviews and will be updated from time to time as part of our continuing product development and improved spec accuracy.

Note 2: Operation beyond the quoted limits stated above may cause instantaneous and permanent damage.

Note 3: All specs are for 50 Ohm connectors unless detailed otherwise.

ETL SYSTEMS LIMITED
Coldwell Radio Station
Madley
Hereford
England HR2 9NE

TELEPHONE
+44 (0)1981 259020

EMAIL
info@etlsystems.com

FACSIMILE
+44 (0)1981 259021

WEB
www.etlsystems.com

